

SBSGMA65 INSTALLATION INSTRUCTIONS

The SBSGMA65 Adaptor Tube in figure 1 is designed for strengthening metal light gauge purlin frame roof rafters for the installation of the SBSUT6/SBSUT9 mounts to domestic tile roofs. This product can be installed in all Australian regions except the region C3.

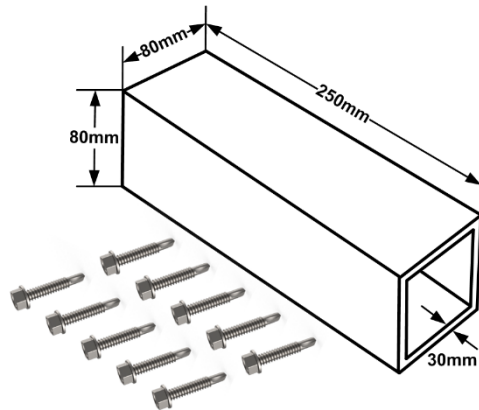


Figure 1

The SBSGMA65 Adaptor Tube is suitable for two types of purlins. i.e. C-section or Z section types with minimum dimensions of 102mm x 50mm up to maximum dimensions of 254mm x 76mm and both with a minimum thickness of 1.0mm.

STEP 1 – Installation Procedure

- Remove the first row of tiles on the roof to fully uncover the metal rafters and battens.
- Some roofs having sarking that should be carefully cut to allow for the installation. It must be repositioned and sealed when installation is completed according to the building code(s) practices.

STEP 2 – Affixing Adaptor Tubes to Purlins

- The Adaptor Tube is screwed against the flat face of the first metal rafter/purlin. The top side of the adaptor tube should be aligned to be flush with the top of the purlin, so they are level. Refer to Figure 3.

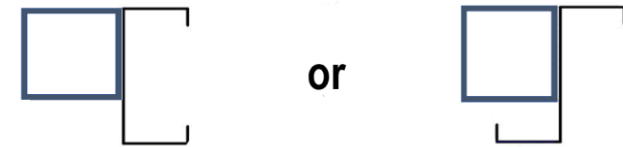


Figure 3

- On the adjacent metal rafter side, the adaptor tube should be mounted inside of purlin channel as shown in Figure 4. Ensure that the Adaptor Tubes are mirrored to each other between purlins.

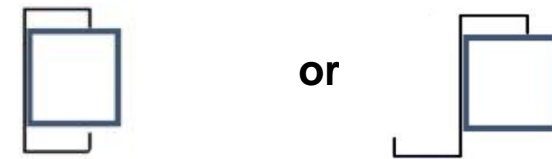


Figure 4

STEP 3 - Installing the UT Mount

- Pre-assemble either the SBSUT6 or SBSUT9 mount.
- Position the mount assembly in the roof space and between Adaptor Tubes.
- Align one end of the SBSUT6 or SBSUT9 Mounting Braces onto the adaptor tube ensuring that the Mounting Brace plate is on the top of the Adaptor Tube and then screw the Mounting Brace onto the Adaptor Tube. Refer to Figure 5.

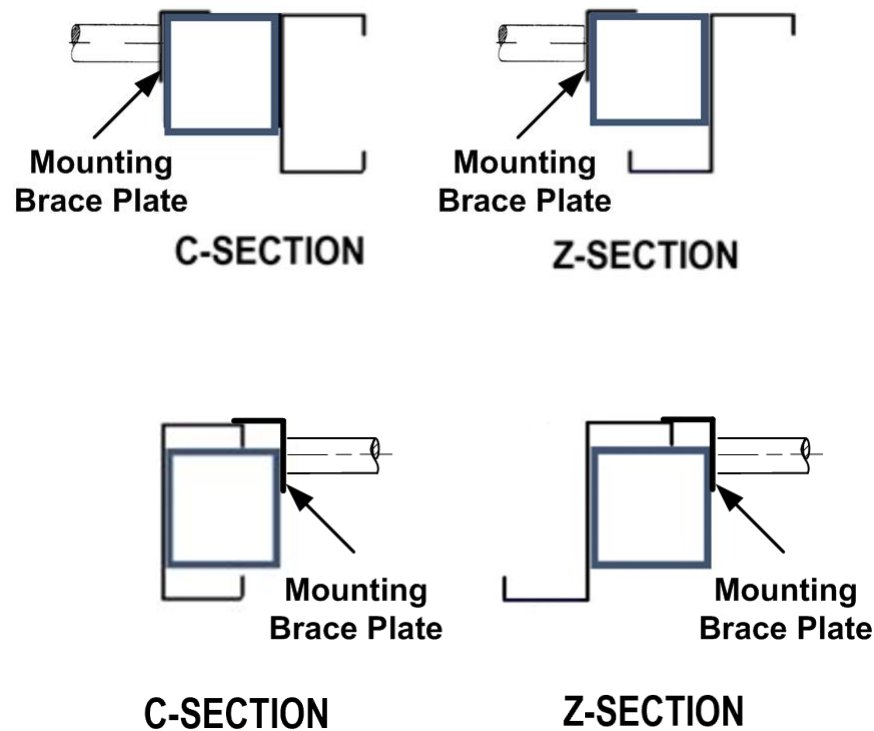


Figure 5

- Extend the telescopic part of the UT mount so that the other end of the Brace Bracket is adjacent to the metal rafter fitted with the Adaptor Tube.
- Note: Secure each of the Base Bracket Plates using at least three screws ensuring that each screw should be no closer than 25mm to the edge of the rafter and the Adaptor Tube.
- Before screwing the Brace Bracket Plate in place align the mount telescopic assembly horizontally by using a box level. Refer to Figure 6.

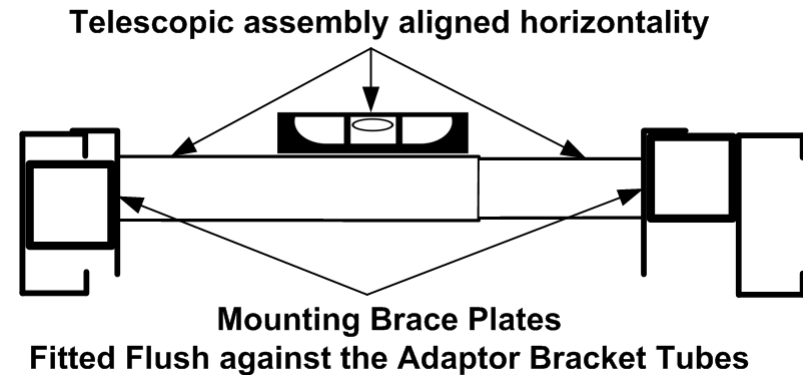


Figure 6